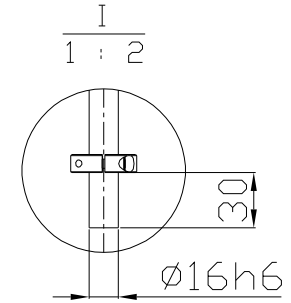
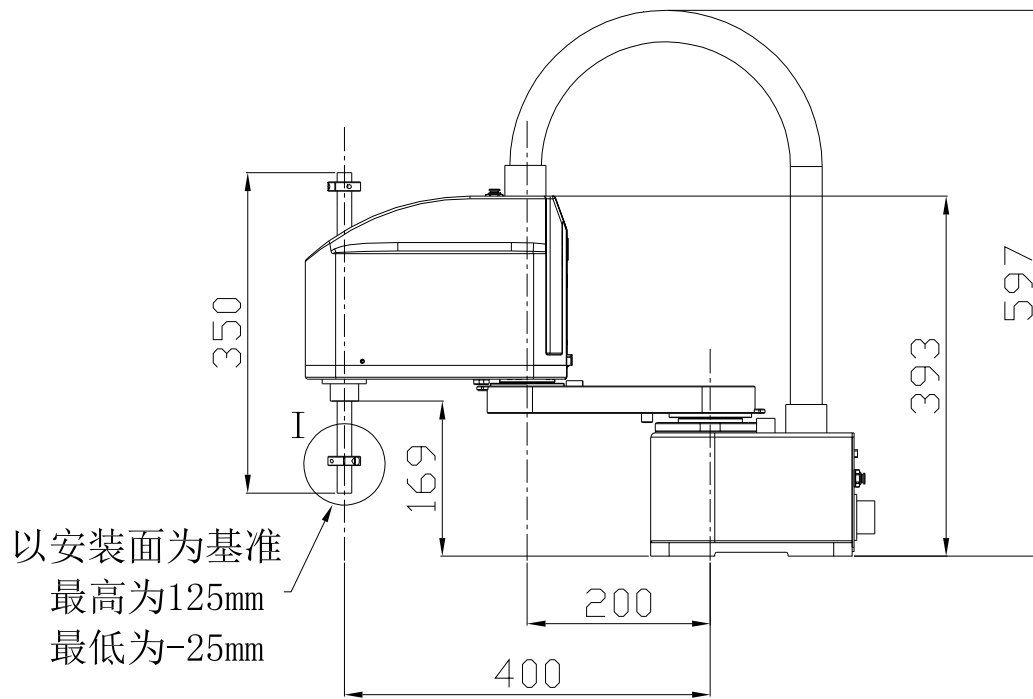
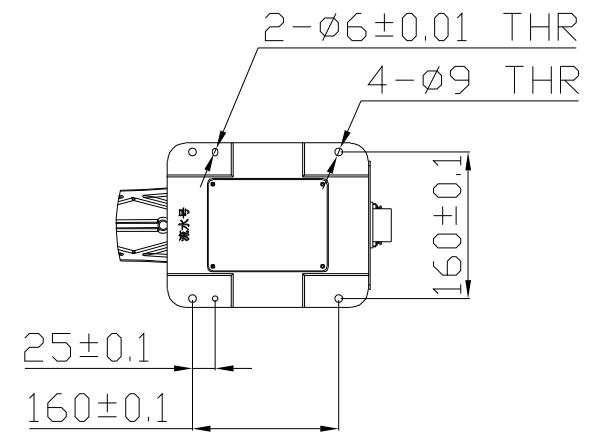
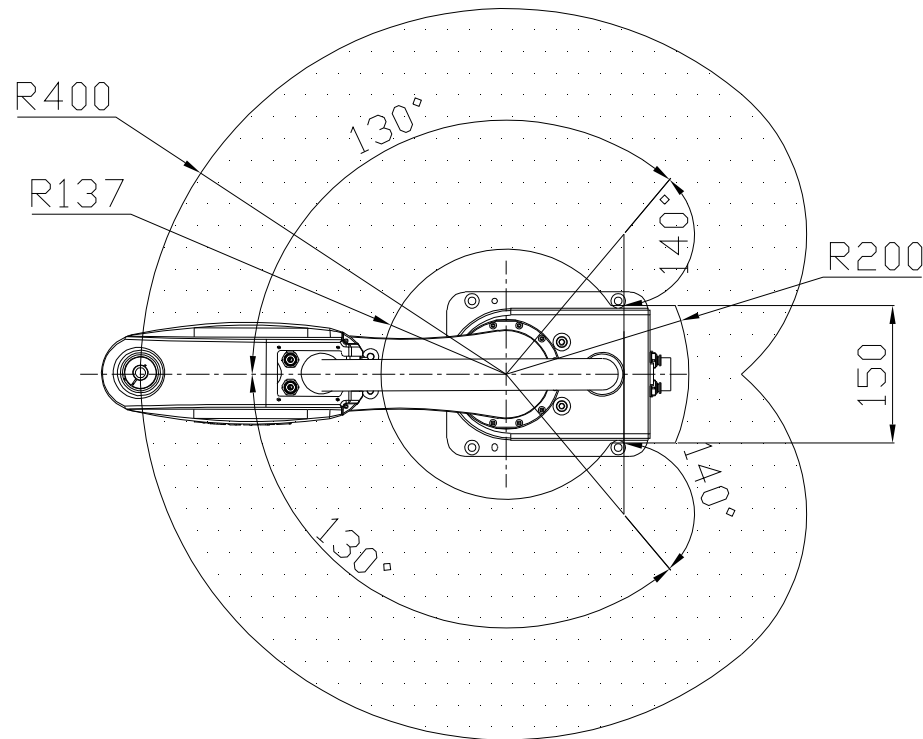


单位: mm



外设夹具安装轴径  
Peripheral fixture mounting  
axle diameter



底部安装孔  
Bottom mounting hole