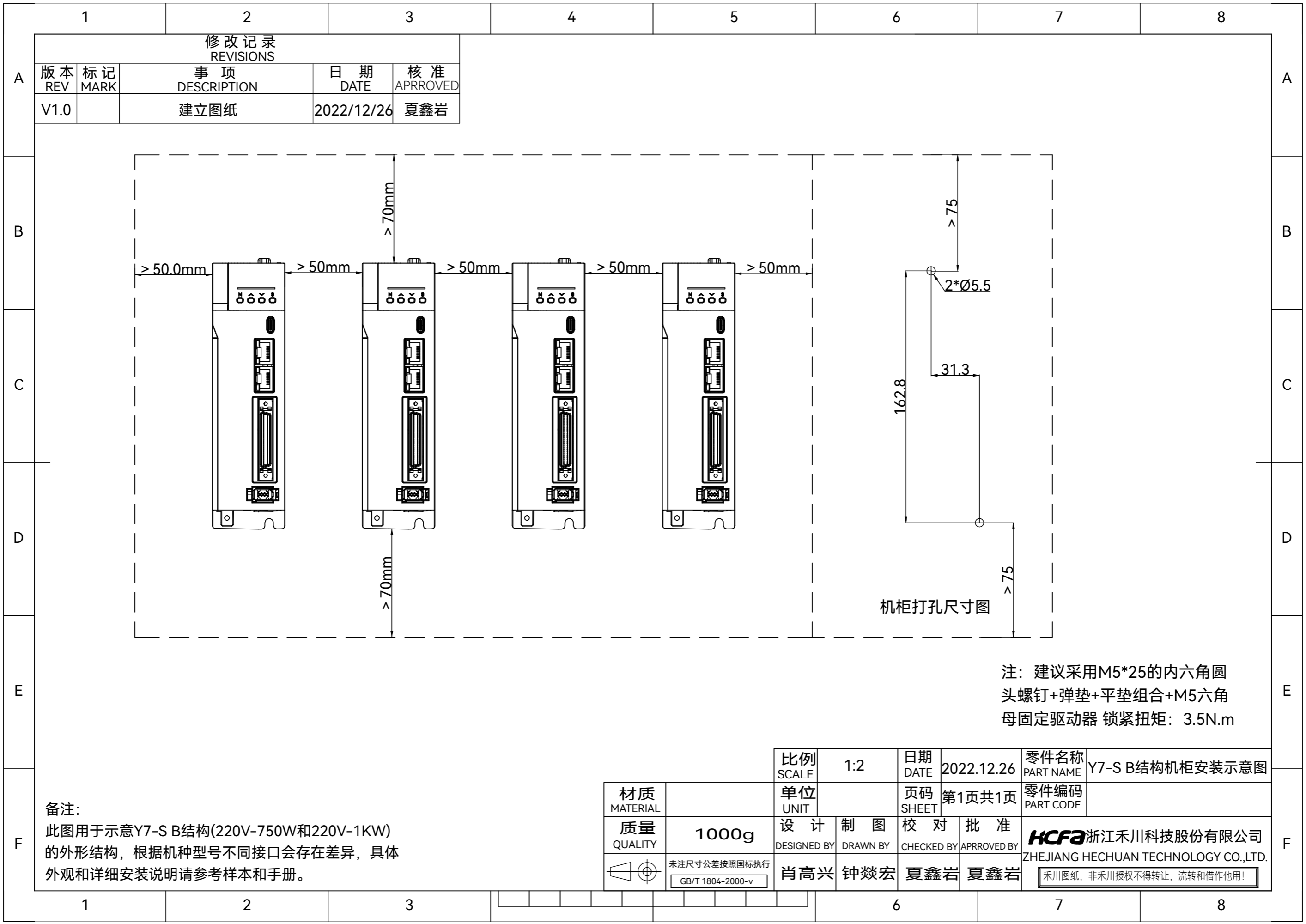


备注：  
此图用于示意Y7-S B结构(220V-750W和220V-1KW)的外形结构，根据机种型号不同接口会存在差异，具体外观和详细安装说明请参考样本和手册。

|                                  |                |             |                   |   |
|----------------------------------|----------------|-------------|-------------------|---|
| 材质<br>MATERIAL                   | 质量<br>QUALITY  | 比例<br>SCALE | 日期<br>DATE        | 零件名称<br>PART NAME   |
|                                  | 1000g          | 1:3         | 2022.12.26        | Y7-S B结构外形尺寸图   |
| 设计<br>DESIGNED BY                | 制图<br>DRAWN BY | 页码<br>SHEET | 批准<br>APPROVED BY | 零件编码<br>PART CODE   |
| 肖高兴                              | 钟焱宏            | 第1页共1页      | 夏鑫岩               |   |
| 未注尺寸公差按照国标执行<br>GB/T 1804-2000-v |                |             |                   | <b>HCFA</b> 浙江禾川科技股份有限公司<br>ZHEJIANG HECHUAN TECHNOLOGY CO.,LTD.<br>禾川图纸，非禾川授权不得转让，流转和借作他用！ |



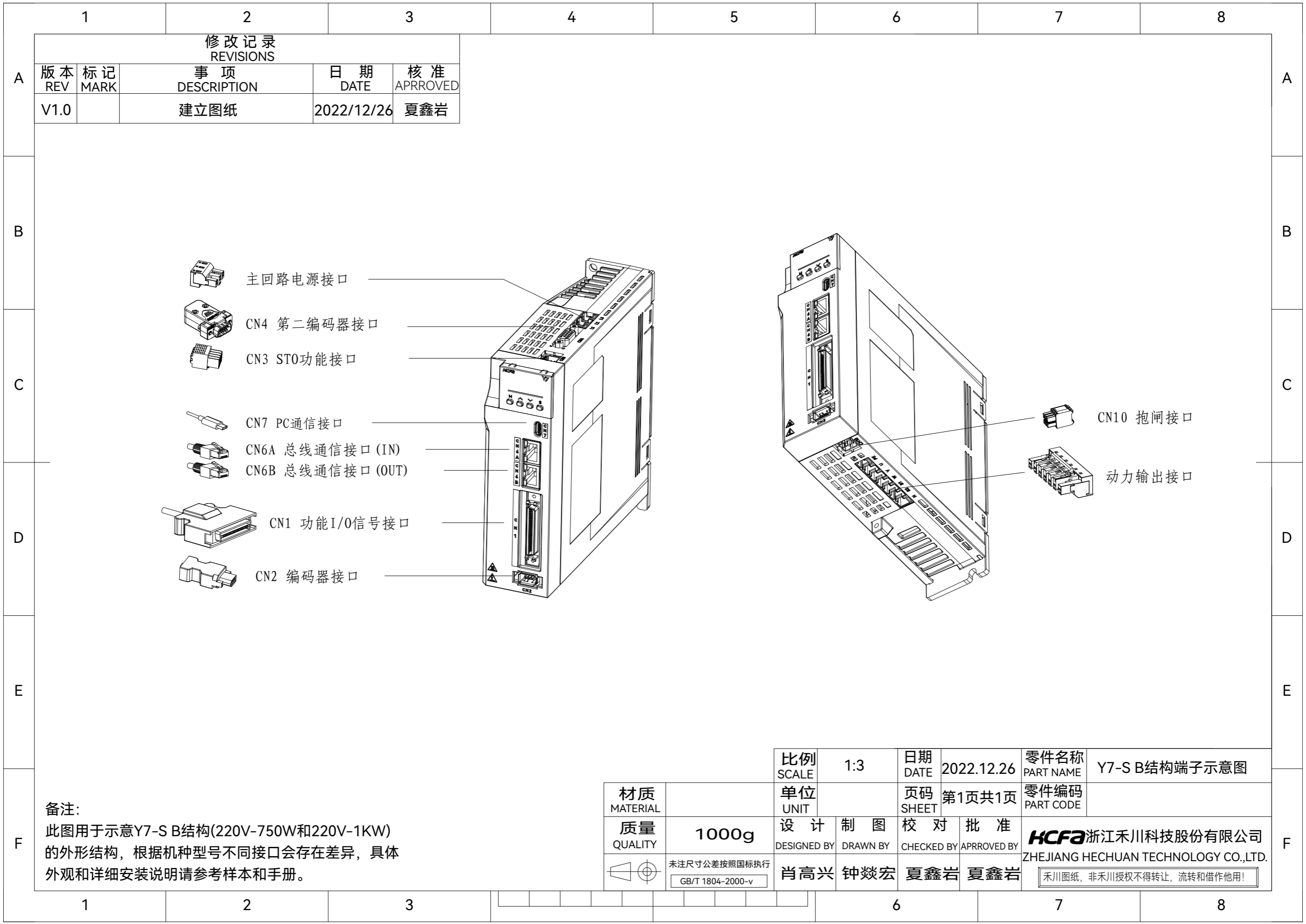
修改记录  
REVISIONS

| 版本<br>REV | 标记<br>MARK | 事项<br>DESCRIPTION | 日期<br>DATE | 核准<br>APPROVED |
|-----------|------------|-------------------|------------|----------------|
| V1.0      |            | 建立图纸              | 2022/12/26 | 夏鑫岩            |

注：建议采用M5\*25的内六角圆头螺钉+弹垫+平垫组合+M5六角母固定驱动器 锁紧扭矩：3.5N.m

备注：  
此图用于示意Y7-S B结构(220V-750W和220V-1KW)的外形结构，根据機種型号不同接口会存在差异，具体外观和详细安装说明请参考样本和手册。

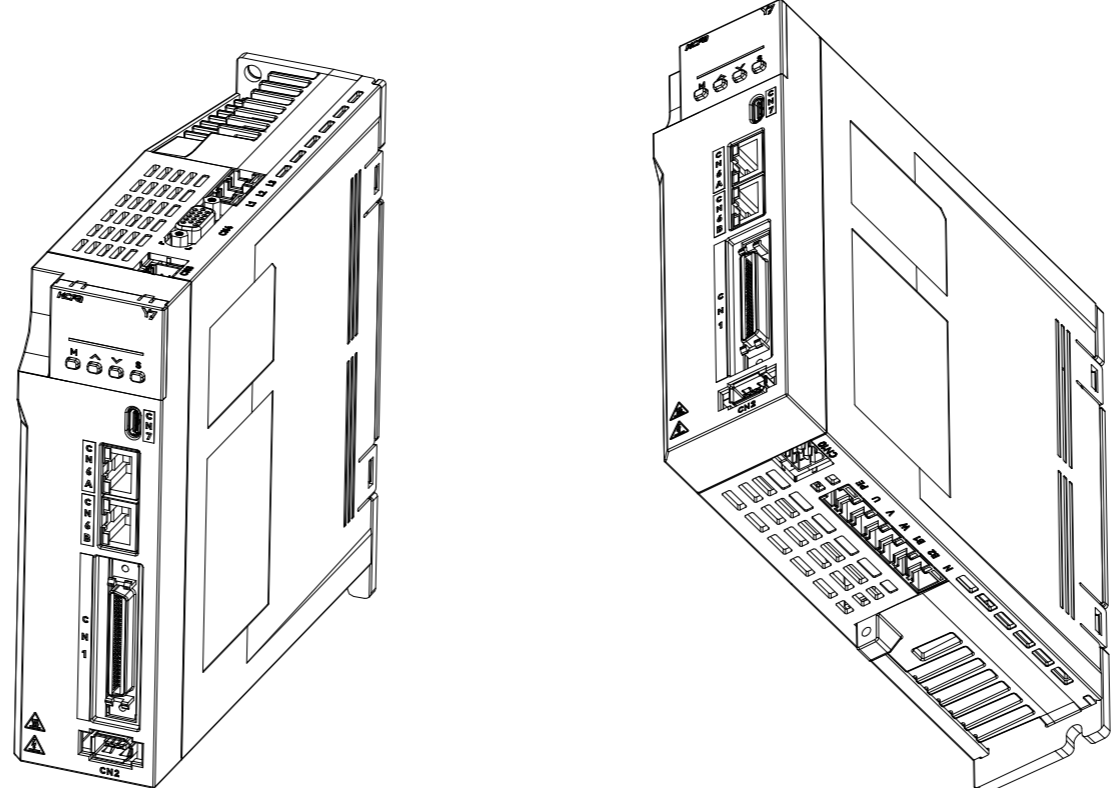
|                                  |       |  |                |                         |                   |
|----------------------------------|-------|--|----------------|-------------------------|-------------------|
| 比例<br>SCALE                      | 1:2   | 日期<br>DATE   | 2022.12.26     | 零件名称<br>PART NAME       | Y7-S B结构机柜安装示意图   |
| 单位<br>UNIT                       |       | 页码<br>SHEET  | 第1页共1页         | 零件编码<br>PART CODE       |                   |
| 材质<br>MATERIAL                   |       | 设计<br>DESIGNED BY                                    | 制图<br>DRAWN BY | 校对<br>CHECKED BY        | 批准<br>APPROVED BY |
| 质量<br>QUALITY                    | 1000g | 肖高兴  | 钟焱宏            | 夏鑫岩                     | 夏鑫岩               |
| 未注尺寸公差按照国标执行<br>GB/T 1804-2000-v |       | 浙江禾川科技股份有限公司<br>ZHEJIANG HECHUAN TECHNOLOGY CO.,LTD. |                | 禾川图纸，非禾川授权不得转让，流转和借作他用！ |                   |



| 修改记录<br>REVISIONS |            |                   |            |                |
|-------------------|------------|-------------------|------------|----------------|
| 版本<br>REV         | 标记<br>MARK | 事项<br>DESCRIPTION | 日期<br>DATE | 核准<br>APPROVED |
| V1.0              |            | 建立图纸              | 2022/12/26 | 夏鑫岩            |

备注：  
此图用于示意Y7-S B结构(220V-750W和220V-1KW)的外形结构，根据机种型号不同接口会存在差异，具体外观和详细安装说明请参考样本和手册。

|                                  |            |                   |                   |   |            |             |                   |
|----------------------------------|------------|-------------------|-------------------|---|------------|-------------|-------------------|
| 材质<br>MATERIAL                   | 单位<br>UNIT | 设计<br>DESIGNED BY | 制图<br>DRAWN BY    | 比例<br>SCALE   | 日期<br>DATE | 页码<br>SHEET | 零件名称<br>PART NAME |
| 质量<br>QUALITY                    | 1000g      | 肖高兴               | 钟焱宏               | 1:3   | 2022.12.26 | 第1页共1页      | Y7-S B结构端子示意图     |
| 未注尺寸公差按照国标执行<br>GB/T 1804-2000-v |            | 校对<br>CHECKED BY  | 批准<br>APPROVED BY | 零件编码<br>PART CODE   |            |             |                   |
|                                  |            | 夏鑫岩               | 夏鑫岩               | <b>HCFA</b> 浙江禾川科技股份有限公司<br>ZHEJIANG HECHUAN TECHNOLOGY CO.,LTD.<br>禾川图纸，非禾川授权不得转让，流转和借作他用！ |            |             |                   |

|  |  |                   |                   |  |                |                |   |            |  |               |       |                   |                |                                  |  |     |     |   |  |             |     |            |            |             |        |  |  |                   |     |                |     |                  |     |                   |     |   |  |                   |             |  |  |                   |  |  |  |  |  |  |  |                         |  |  |  |
|--|--|-------------------|-------------------|--|----------------|----------------|---|------------|--|---------------|-------|-------------------|----------------|----------------------------------|--|-----|-----|---|--|-------------|-----|------------|------------|-------------|--------|--|--|-------------------|-----|----------------|-----|------------------|-----|-------------------|-----|---|--|-------------------|-------------|--|--|-------------------|--|--|--|--|--|--|--|-------------------------|--|--|--|
|  | 1  | 2                 | 3                 | 4  | 5              | 6              | 7 | 8          |  |               |       |                   |                |                                  |  |     |     |   |  |             |     |            |            |             |        |  |  |                   |     |                |     |                  |     |                   |     |   |  |                   |             |  |  |                   |  |  |  |  |  |  |  |                         |  |  |  |
| A  | 修改记录<br>REVISIONS  |                   |                   |  |                |                |   |            |  |               |       |                   |                |                                  |  |     |     |   |  |             |     |            |            |             |        |  |  |                   |     |                |     |                  |     |                   |     |   |  |                   |             |  |  |                   |  |  |  |  |  |  |  |                         |  |  |  |
|  | 版本<br>REV  | 标记<br>MARK        | 事项<br>DESCRIPTION | 日期<br>DATE   | 核准<br>APPROVED |                |   |            |  |               |       |                   |                |                                  |  |     |     |   |  |             |     |            |            |             |        |  |  |                   |     |                |     |                  |     |                   |     |   |  |                   |             |  |  |                   |  |  |  |  |  |  |  |                         |  |  |  |
|  | V1.0   |                   | 建立图纸              | 2022/12/26   | 夏鑫岩            |                |   |            |  |               |       |                   |                |                                  |  |     |     |   |  |             |     |            |            |             |        |  |  |                   |     |                |     |                  |     |                   |     |   |  |                   |             |  |  |                   |  |  |  |  |  |  |  |                         |  |  |  |
| B  |  |                   |                   |  |                |                |   |            |  |               |       |                   |                |                                  |  |     |     |   |  |             |     |            |            |             |        |  |  |                   |     |                |     |                  |     |                   |     |   |  |                   |             |  |  |                   |  |  |  |  |  |  |  |                         |  |  |  |
| C  |  |                   |                   |  |                |                |   |            |  |               |       |                   |                |                                  |  |     |     |   |  |             |     |            |            |             |        |  |  |                   |     |                |     |                  |     |                   |     |   |  |                   |             |  |  |                   |  |  |  |  |  |  |  |                         |  |  |  |
| D  |  |                   |                   |  |                |                |   |            |  |               |       |                   |                |                                  |  |     |     |   |  |             |     |            |            |             |        |  |  |                   |     |                |     |                  |     |                   |     |   |  |                   |             |  |  |                   |  |  |  |  |  |  |  |                         |  |  |  |
| E  |  |                   |                   |  |                |                |   |            |  |               |       |                   |                |                                  |  |     |     |   |  |             |     |            |            |             |        |  |  |                   |     |                |     |                  |     |                   |     |   |  |                   |             |  |  |                   |  |  |  |  |  |  |  |                         |  |  |  |
| F  | 备注：<br>此图用于示意Y7-S B结构(220V-750W和220V-1KW)的外形结构，根据機種型号不同接口会存在差异，具体外观和详细安装说明请参考样本和手册。  |                   |                   | <table border="1"> <tr> <td>材质<br/>MATERIAL</td> <td></td> <td>单位<br/>UNIT</td> <td></td> </tr> <tr> <td>质量<br/>QUALITY</td> <td>1000g</td> <td>设计<br/>DESIGNED BY</td> <td>制图<br/>DRAWN BY</td> </tr> <tr> <td colspan="2">           未注尺寸公差按照国标执行<br/>           GB/T 1804-2000-v         </td> <td>肖高兴</td> <td>钟焱宏</td> </tr> </table> |                | 材质<br>MATERIAL |   | 单位<br>UNIT |  | 质量<br>QUALITY | 1000g | 设计<br>DESIGNED BY | 制图<br>DRAWN BY | 未注尺寸公差按照国标执行<br>GB/T 1804-2000-v |  | 肖高兴 | 钟焱宏 | <table border="1"> <tr> <td>比例<br/>SCALE</td> <td>1:3</td> <td>日期<br/>DATE</td> <td>2022.12.26</td> </tr> <tr> <td>页码<br/>SHEET</td> <td colspan="3">第1页共1页</td> </tr> <tr> <td>设计<br/>DESIGNED BY</td> <td>肖高兴</td> <td>制图<br/>DRAWN BY</td> <td>钟焱宏</td> </tr> <tr> <td>校对<br/>CHECKED BY</td> <td>夏鑫岩</td> <td>批准<br/>APPROVED BY</td> <td>夏鑫岩</td> </tr> </table> |  | 比例<br>SCALE | 1:3 | 日期<br>DATE | 2022.12.26 | 页码<br>SHEET | 第1页共1页 |  |  | 设计<br>DESIGNED BY | 肖高兴 | 制图<br>DRAWN BY | 钟焱宏 | 校对<br>CHECKED BY | 夏鑫岩 | 批准<br>APPROVED BY | 夏鑫岩 | <table border="1"> <tr> <td>零件名称<br/>PART NAME</td> <td colspan="3">Y7-S B结构轴测图</td> </tr> <tr> <td>零件编码<br/>PART CODE</td> <td colspan="3"></td> </tr> <tr> <td colspan="4"> <b>HCFA</b> 浙江禾川科技股份有限公司<br/>           ZHEJIANG HECHUAN TECHNOLOGY CO.,LTD.         </td> </tr> <tr> <td colspan="4">           禾川图纸，非禾川授权不得转让，流转和借作他用！         </td> </tr> </table> |  | 零件名称<br>PART NAME | Y7-S B结构轴测图 |  |  | 零件编码<br>PART CODE |  |  |  | <b>HCFA</b> 浙江禾川科技股份有限公司<br>ZHEJIANG HECHUAN TECHNOLOGY CO.,LTD. |  |  |  | 禾川图纸，非禾川授权不得转让，流转和借作他用！ |  |  |  |
| 材质<br>MATERIAL   |  | 单位<br>UNIT        |                   |  |                |                |   |            |  |               |       |                   |                |                                  |  |     |     |   |  |             |     |            |            |             |        |  |  |                   |     |                |     |                  |     |                   |     |   |  |                   |             |  |  |                   |  |  |  |  |  |  |  |                         |  |  |  |
| 质量<br>QUALITY  | 1000g  | 设计<br>DESIGNED BY | 制图<br>DRAWN BY    |  |                |                |   |            |  |               |       |                   |                |                                  |  |     |     |   |  |             |     |            |            |             |        |  |  |                   |     |                |     |                  |     |                   |     |   |  |                   |             |  |  |                   |  |  |  |  |  |  |  |                         |  |  |  |
| 未注尺寸公差按照国标执行<br>GB/T 1804-2000-v                                 |  | 肖高兴               | 钟焱宏               |  |                |                |   |            |  |               |       |                   |                |                                  |  |     |     |   |  |             |     |            |            |             |        |  |  |                   |     |                |     |                  |     |                   |     |   |  |                   |             |  |  |                   |  |  |  |  |  |  |  |                         |  |  |  |
| 比例<br>SCALE  | 1:3  | 日期<br>DATE        | 2022.12.26        |  |                |                |   |            |  |               |       |                   |                |                                  |  |     |     |   |  |             |     |            |            |             |        |  |  |                   |     |                |     |                  |     |                   |     |   |  |                   |             |  |  |                   |  |  |  |  |  |  |  |                         |  |  |  |
| 页码<br>SHEET  | 第1页共1页   |                   |                   |  |                |                |   |            |  |               |       |                   |                |                                  |  |     |     |   |  |             |     |            |            |             |        |  |  |                   |     |                |     |                  |     |                   |     |   |  |                   |             |  |  |                   |  |  |  |  |  |  |  |                         |  |  |  |
| 设计<br>DESIGNED BY  | 肖高兴  | 制图<br>DRAWN BY    | 钟焱宏               |  |                |                |   |            |  |               |       |                   |                |                                  |  |     |     |   |  |             |     |            |            |             |        |  |  |                   |     |                |     |                  |     |                   |     |   |  |                   |             |  |  |                   |  |  |  |  |  |  |  |                         |  |  |  |
| 校对<br>CHECKED BY   | 夏鑫岩  | 批准<br>APPROVED BY | 夏鑫岩               |  |                |                |   |            |  |               |       |                   |                |                                  |  |     |     |   |  |             |     |            |            |             |        |  |  |                   |     |                |     |                  |     |                   |     |   |  |                   |             |  |  |                   |  |  |  |  |  |  |  |                         |  |  |  |
| 零件名称<br>PART NAME  | Y7-S B结构轴测图  |                   |                   |  |                |                |   |            |  |               |       |                   |                |                                  |  |     |     |   |  |             |     |            |            |             |        |  |  |                   |     |                |     |                  |     |                   |     |   |  |                   |             |  |  |                   |  |  |  |  |  |  |  |                         |  |  |  |
| 零件编码<br>PART CODE  |  |                   |                   |  |                |                |   |            |  |               |       |                   |                |                                  |  |     |     |   |  |             |     |            |            |             |        |  |  |                   |     |                |     |                  |     |                   |     |   |  |                   |             |  |  |                   |  |  |  |  |  |  |  |                         |  |  |  |
| <b>HCFA</b> 浙江禾川科技股份有限公司<br>ZHEJIANG HECHUAN TECHNOLOGY CO.,LTD. |  |                   |                   |  |                |                |   |            |  |               |       |                   |                |                                  |  |     |     |   |  |             |     |            |            |             |        |  |  |                   |     |                |     |                  |     |                   |     |   |  |                   |             |  |  |                   |  |  |  |  |  |  |  |                         |  |  |  |
| 禾川图纸，非禾川授权不得转让，流转和借作他用！  |  |                   |                   |  |                |                |   |            |  |               |       |                   |                |                                  |  |     |     |   |  |             |     |            |            |             |        |  |  |                   |     |                |     |                  |     |                   |     |   |  |                   |             |  |  |                   |  |  |  |  |  |  |  |                         |  |  |  |
|  | 1  | 2                 | 3                 | 4  | 5              | 6              | 7 | 8          |  |               |       |                   |                |                                  |  |     |     |   |  |             |     |            |            |             |        |  |  |                   |     |                |     |                  |     |                   |     |   |  |                   |             |  |  |                   |  |  |  |  |  |  |  |                         |  |  |  |