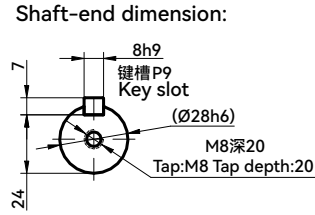


电机性能规格  
MOTOR PERFORMANCE SPECIFICATION

|   |       |
|---|-------|
| 法兰<br>FLANGE  | 130   |
| 额定功率(W)<br>RATED POWER  | 4000  |
| 额定电压(V)<br>RATED VOLTAGE  | 380   |
| 每相感应电压常数(mV/(r/min))<br>INDUCED VOLTAGE CONSTANT PER PHASE                        | *A    |
| 额定电流(A)<br>RATED CURRENT  | 13    |
| 瞬时最大电流(A)<br>INSTANTANEOUS MAXIMUM CURRENT  | 40    |
| 额定转矩(N.m)<br>RATED TORQUE   | 12.7  |
| 瞬时最大转矩(N.m)<br>INSTANTANEOUS MAXIMUM TORQUE                                       | 38.1  |
| 相q轴电感(mH)<br>Q PHASE-AXIS INDUCTANCE  | *A    |
| 相d轴电感(mH)<br>D PHASE-AXIS INDUCTANCE  | *A    |
| 线圈电阻(Ω)<br>COIL RESISTANCE  | *A    |
| 线圈电感(mH)<br>COIL INDUCTANCE   | *A    |
| 额定转速(rpm)<br>RATED ROTATION SPEED   | 3000  |
| 最高转速(rpm)<br>MAXIMUM ROTATION SPEED   | 5000  |
| 转子转动惯量无刹车( $10^{-4}$ kg.m <sup>2</sup> )<br>ROTOR MOMENT OF INERTIA WITHOUT BRAKE | 14.7  |
| 转子转动惯量带刹车( $10^{-4}$ kg.m <sup>2</sup> )<br>ROTOR MOMENT OF INERTIA WITH BRAKE    | 15.9  |
| 转子极对数P<br>NUMBER OF ROTOR POLES P   | 5     |
| 定子槽数S<br>NUMBER OF STATOR SLOTS S   | 12    |
| 编码器类型<br>ENCODER RESOLUTION   | 17bit |
| 电机绝缘等级<br>MOTOR INSULATION LEVEL  | F     |
| 电机防护等级<br>MOTOR PROTECTION LEVEL  | IP67  |

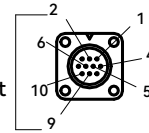
轴端面局部:



信号线插头:

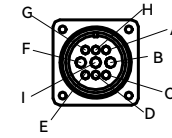
Encoder connector:

针脚处短接  
short-circuit



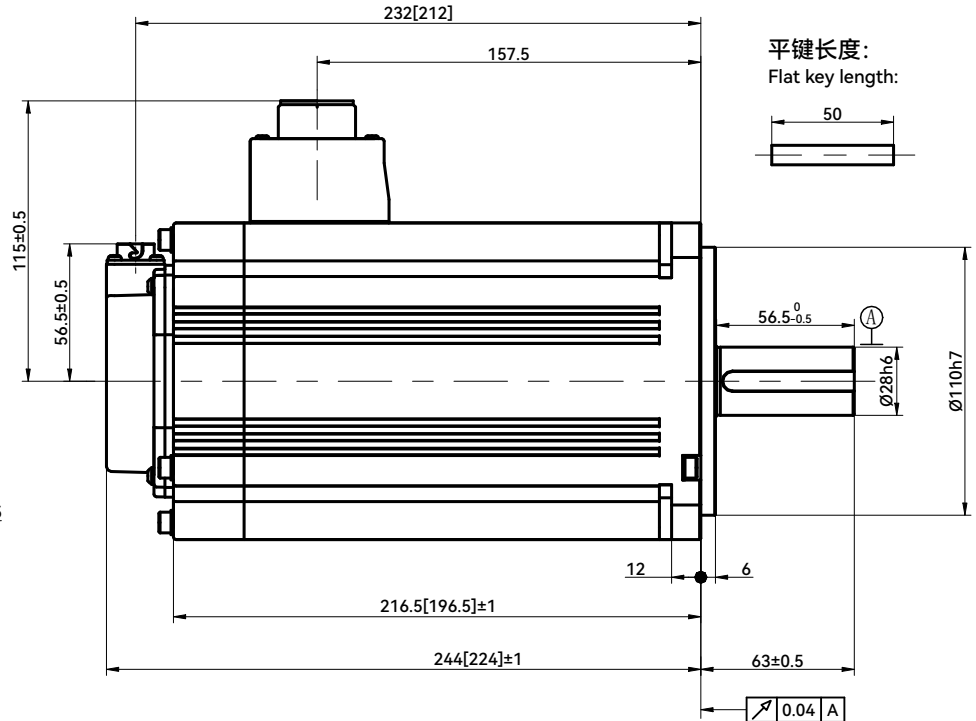
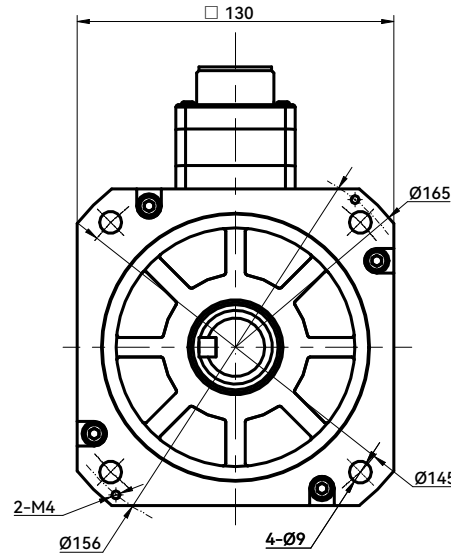
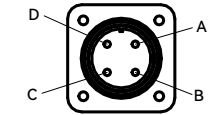
带刹车动力线插头:

Power connector with brake:



无刹车动力线插头:

Power connector without break:



信号线连接

Encoder connector

| 端子号码<br>TERMINAL NUMBER | 信号名<br>SIGNAL NAME | 备注<br>NOTE |
|-------------------------|--------------------|------------|
| 1                       | VCC                |            |
| 2                       | GND                |            |
| 3                       | -                  |            |
| 4                       | BATT               |            |
| 5                       | +DO                |            |
| 6                       | -DO                |            |
| 7                       | -                  |            |
| 8                       | -                  |            |
| 9                       | BAT-               |            |
| 10                      | FG                 |            |

带刹车动力线连接

Power connector with brake

| 端子号码<br>TERMINAL NUMBER | 信号名<br>SIGNAL NAME | 备注<br>NOTE |
|-------------------------|--------------------|------------|
| A                       | -                  |            |
| B                       | W                  |            |
| C                       | -                  |            |
| D                       | FG                 |            |
| E                       | FG                 |            |
| F                       | U                  |            |
| G                       | BRK1               |            |
| H                       | BRK1               |            |
| I                       | V                  |            |

无刹车动力线连接

Power connector without brake

| 端子号码<br>TERMINAL NUMBER | 信号名<br>SIGNAL NAME | 备注<br>NOTE |
|-------------------------|--------------------|------------|
| A                       | U                  |            |
| B                       | V                  |            |
| C                       | W                  |            |
| D                       | FG                 |            |

注: 1. 方形括号内尺寸为不带刹车机种长度;  
2. \*A处详细参数请咨询我司技术人员。

Note: 1. Dimensions in brackets are for non-brake type length;  
2. Please consult our technical personnel for detailed parameters at location \*A.

客户回签  
Customer signature

|              |                         |               |                                  |                        | HCFB浙江禾川科技股份有限公司<br>Zhejiang Hechuan Technology Co.,Ltd |                                   |              |
|--------------|-------------------------|---------------|----------------------------------|------------------------|---|-----------------------------------|--------------|
|              |                         |               |                                  |                        | 4000W伺服电机<br>4000W Servo motor                          |                                   |              |
|              |                         |               |                                  |                        | X6MA400R-N(B)4LA  |                                   |              |
| 标记<br>MARK   | 处数<br>NUMBER OF REVISED | 分区<br>SECTION | 更改文件号<br>REVISED DOCUMENT NUMBER | 签名<br>SIGNATURE        | 年月日<br>DATE   |                                   |              |
| 设计<br>DESIGN | 1                       |               | 2023.7.25                        | 标准化<br>STANDARDIZATION |   | 阶段标记<br>STAGE MARKER              | 重量<br>WEIGHT |
| 审核<br>VERIFY | 1                       |               | 2023.7.25                        |                        |   | 比例<br>SCALE                       |              |
| 工艺<br>CRAFT  |                         |               |                                  | 批准<br>APPROVE          | 2023.7.25   | 共 张 第 张<br>PAGE , ALTOGETHER PAGE |              |