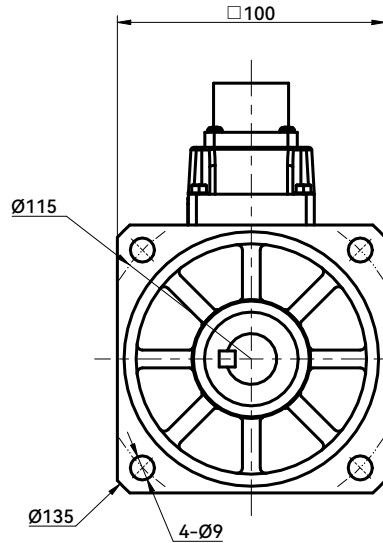
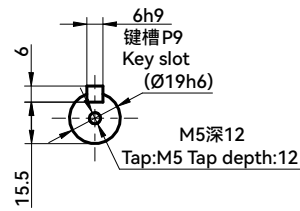


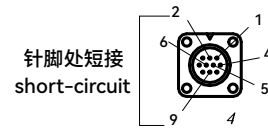
电机性能规格
MOTOR PERFORMANCE SPECIFICATION

| | |
|---|-------|
| 法兰 FLANGE | 100 |
| 额定功率(W) RATED POWER | 2000 |
| 额定电压(V) RATED VOLTAGE | 380 |
| 每相感应电压常数(mV/(r/min)) INDUCED VOLTAGE CONSTANT PER PHASE | *A |
| 额定电流(A) RATED CURRENT | 6.3 |
| 瞬时最大电流(A) INSTANTANEOUS MAXIMUM CURRENT | 19 |
| 额定转矩(N.m) RATED TORQUE | 6.37 |
| 瞬时最大转矩(N.m) INSTANTANEOUS MAXIMUM TORQUE | 15.93 |
| 相q轴电感(mH) Q PHASE-AXIS INDUCTANCE | *A |
| 相d轴电感(mH) D PHASE-AXIS INDUCTANCE | *A |
| 线电阻(Ω) COIL RESISTANCE | *A |
| 线电感(mH) COIL INDUCTANCE | *A |
| 额定转速(rpm) RATED ROTATION SPEED | 3000 |
| 最高转速(rpm) MAXIMUM ROTATION SPEED | 5000 |
| 转子转动惯量无刹车(10 ⁻⁴ kg.m ²) ROTOR MOMENT OF INERTIA WITHOUT BRAKE | 3.68 |
| 转子转动惯量带刹车(10 ⁻⁴ kg.m ²) ROTOR MOMENT OF INERTIA WITH BRAKE | 4.01 |
| 转子极对数P NUMBER OF ROTOR POLES P | 5 |
| 定子槽数S NUMBER OF STATOR SLOTS S | 12 |
| 编码器类型 ENCODER RESOLUTION | 23bit |
| 电机绝缘等级 MOTOR INSULATION LEVEL | F |
| 电机防护等级 MOTOR PROTECTION LEVEL | IP67 |

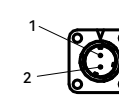
轴端面局部:
Shaft-end dimension:



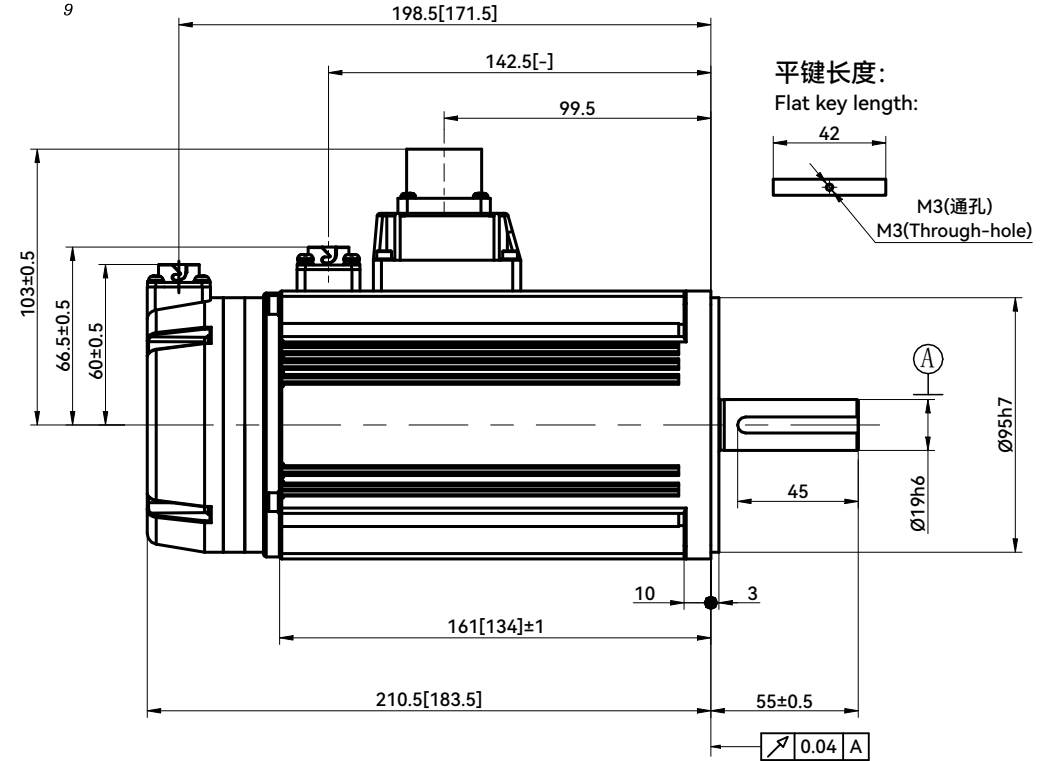
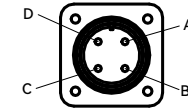
信号线插头:
Encoder connector:



制动器插头:
Brake connector:



动力线插头:
Power connector:



信号线连接
Encoder connector

| 端子号码 TERMINAL NUMBER | 信号名 SIGNAL NAME | 备注 NOTE |
|-------------------------|--------------------|------------|
| 1 | VCC | |
| 2 | GND | |
| 3 | - | |
| 4 | BATT | |
| 5 | +DO | |
| 6 | -DO | |
| 7 | - | |
| 8 | - | |
| 9 | BAT- | |
| 10 | - | |

制动器连接
Brake connector

| 端子号码 TERMINAL NUMBER | 信号名 SIGNAL NAME | 备注 NOTE |
|-------------------------|--------------------|------------|
| 1 | BRK1 | |
| 2 | BRK2 | |

动力线连接
Power connector

| 端子号码 TERMINAL NUMBER | 信号名 SIGNAL NAME | 备注 NOTE |
|-------------------------|--------------------|------------|
| A | U | |
| B | V | |
| C | W | |
| D | FG | |

- 注: 1. 方形括号内尺寸为不带刹车机种长度;
2. *A处详细参数请咨询我司技术人员。

- Note: 1. Dimensions in brackets are for non-brake type length;
2. Please consult our technical personnel for detailed parameters at location *A.

客户回签
Customer signature

| | | | | | | HCFA 浙江禾川科技股份有限公司 Zhejiang Hechuan Technology Co., Ltd | | | |
|--------------|-------------------------|------------------------|----------------------------------|-----------------|-------------|---|--|--------------|-------------|
| | | | | | | 2000W伺服电机 2000W Servo motor | | | |
| | | | | | | X6MA200A-N(B)4LD | | | |
| 标记 MARK | 处数 NUMBER OF REVISED | 分区 SECTION | 更改文件号 REVISED DOCUMENT NUMBER | 签名 SIGNATURE | 年月日 DATE | 阶段标记 STAGE MARKER | | 重量 WEIGHT | 比例 SCALE |
| 设计 DESIGN | 1 | 标准化 STANDARDIZATION | 2023.7.25 | 徐晓楠 | | | | | |
| 审核 VERIFY | | | 2023.7.25 | | | | | | |
| 工艺 CRAFT | | | | 批准 APPROVE | 2023.7.25 | 共 张 第 张 PAGE , ALTOGETHER PAGE | | | |