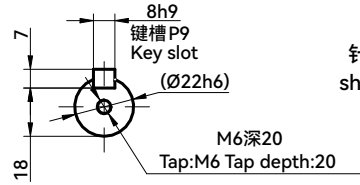


电机性能规格  
MOTOR PERFORMANCE SPECIFICATION

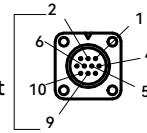
法兰 FLANGE	130
额定功率(W) RATED POWER	850
额定电压(V) RATED VOLTAGE	AC220
每相感应电压常数(mV/(r/min)) INDUCED VOLTAGE CONSTANT PER PHASE	*A
额定电流(A) RATED CURRENT	5.9
瞬时最大电流(A) INSTANTANEOUS MAXIMUM CURRENT	18
额定转矩(N.m) RATED TORQUE	5.41
瞬时最大转矩(N.m) INSTANTANEOUS MAXIMUM TORQUE	16.2
相q轴电感(mH) Q PHASE-AXIS INDUCTANCE	*A
相d轴电感(mH) D PHASE-AXIS INDUCTANCE	*A
线电阻(Ω) COIL RESISTANCE	*A
线电感(mH) COIL INDUCTANCE	*A
额定转速(rpm) RATED ROTATION SPEED	1500
最高转速(rpm) MAXIMUM ROTATION SPEED	3000
转子转动惯量无刹车( $10^{-4}$ kg.m <sup>2</sup> ) ROTOR MOMENT OF INERTIA WITHOUT BRAKE	14
转子转动惯量带刹车( $10^{-4}$ kg.m <sup>2</sup> ) ROTOR MOMENT OF INERTIA WITH BRAKE	15.2
转子极对数P NUMBER OF ROTOR POLES P	5
定子槽数S NUMBER OF STATOR SLOTS S	12
编码器类型 ENCODER RESOLUTION	17bit
电机绝缘等级 MOTOR INSULATION LEVEL	F
电机防护等级 MOTOR PROTECTION LEVEL	IP67

轴端面局部:  
Shaft-end dimension:

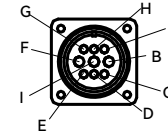


信号线插头:  
Encoder connector:

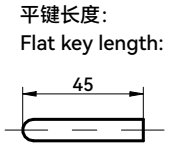
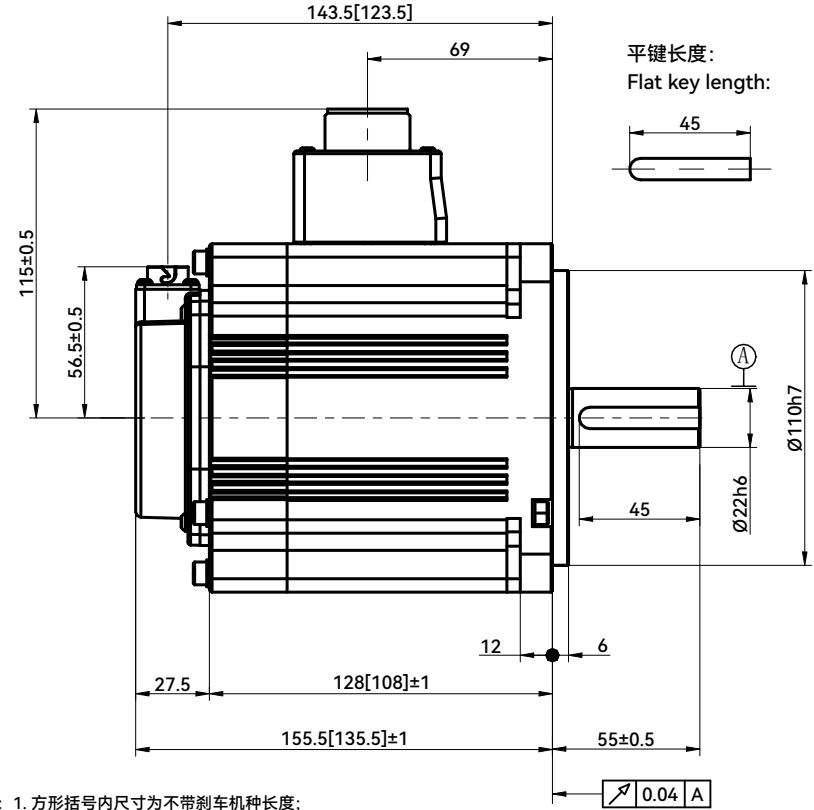
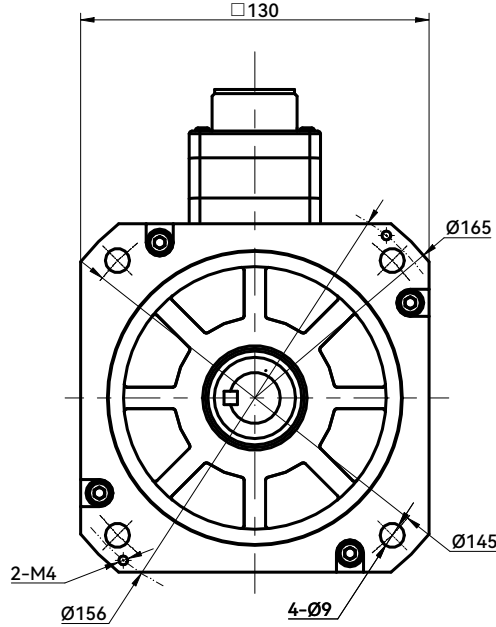
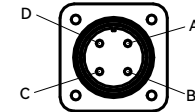
针脚处短接  
short-circuit



带刹车动力线插头:  
Power connector with brake:



无刹车动力线插头:  
Power connector without break:



信号线连接  
Encoder connector

端子号码 TERMINAL NUMBER	信号名 SIGNAL NAME	备注 NOTE
1	VCC	
2	GND	
3	-	
4	BATT	
5	+DO	
6	-DO	
7	-	
8	-	
9	BAT-	
10	FG	

带刹车动力线连接  
Power connector with brake

端子号码 TERMINAL NUMBER	信号名 SIGNAL NAME	备注 NOTE
A	-	
B	W	
C	-	
D	FG	
E	FG	
F	U	
G	BRK1	
H	BRK1	
I	V	

无刹车动力线连接  
Power connector without brake

端子号码 TERMINAL NUMBER	信号名 SIGNAL NAME	备注 NOTE
A	U	
B	V	
C	W	
D	FG	

注: 1. 方形括号内尺寸为不带刹车机种长度;  
2. \*A处详细参数请咨询我司技术人员。

Note: 1. Dimensions in brackets are for non-brake type length;  
2. Please consult our technical personnel for detailed parameters at location \*A.

客户回签  
Customer signature

						HCFB 浙江禾川科技股份有限公司 Zhejiang Hechuan Technology Co.,Ltd			
						850W伺服电机 850W Servo motor			
						X2MG085A			
标记 MARK	处数 NUMBER OF REVISED	分区 SECTION	更改文件号 REVISED DOCUMENT NUMBER	签名 SIGNATURE	年月日 DATE	阶段标记 STAGE MARKER		重量 WEIGHT	比例 SCALE
设计 DESIGN	1		2023.7.11	信在					
审核 VERIFY	1		2023.7.11	符君楠					
工艺 CRAFT				批准 APPROVE	2023.7.11	共 张 PAGE ,ALTOGETHER PAGE			